

MAGIC COM ONE LAMP

Strip Fixture

FEATURES

- Snap together design.
- Continuous raceway and row mounting capability.
- Snap on cover for easy installation and maintenance.
- Surface, stem, or chain mountable.
- Uses T8 or T12 lamps.
- Steel housing and ends with white enamel finish.

APPLICATION

- Parking Garages
- Stairwells
- Warehouse Areas
- Coves
- Utility Area
- Large Storage Rooms
- Manufacturing Areas
- Display



SL115120RS	T-12	18"	120
SL120120RS	T-12	24"	120
SL130120	T-12	36"	120
SL140120	T-12	48"	120
SL196120	T-12	96"	120
SL132UDV	T-8	48"	120/277
SL159DV	T-8	96"	120/277
SL2417DV	T-8	24"	120/277
SL3625DV	T-8	36"	120/277

APPLICATION FEATURES

Economy grade, fluorescent strip fixture. For use in indoor applications where low cost is a primary consideration. Available in lengths from 18 to 96 inches. Converts to raceway for continuous row mounting.

CONSTRUCTION

Snap-in end plates can serve as joiners for continuous row mounting, thus forming a continuous, uninterrupted wireway. Snap on ballast covers for 72" and 96" housing are two piece for simple installation and maintenance. Knockouts are provided for flexible conduit attachment. Die and brake formed, code gauge pre-painted white cold rolled steel.

MOUNTING

Knock-outs are provided for stem mounting. Mounting holes are provided.

FINISH

Pre-painted high reflectance white.

ELECTRICAL

All electrical components are CSA or UL approved. Lamp holders provided ensure positive lamp retention. Lamp holders with rotary locks are available. Standard ballasts are electromagnetic, energy saving where required. See Product Selection for optional ballasts. The standard voltage is 120V, 60 Hz, or as specified. Other Voltage and frequency ratings are also available. Sufficient knock-outs are provided on the back and ends for connections and through wiring.

APPROVALS

Approved to CSA and UL standards. (UL, or equivalent, marked only when specified.)

OPTIONS

- Electronic ballasts and dimming ballasts, see Product Selection.
- Polycarbonate rotary lock lampholders.
- Individual & custom packaging (select units only).

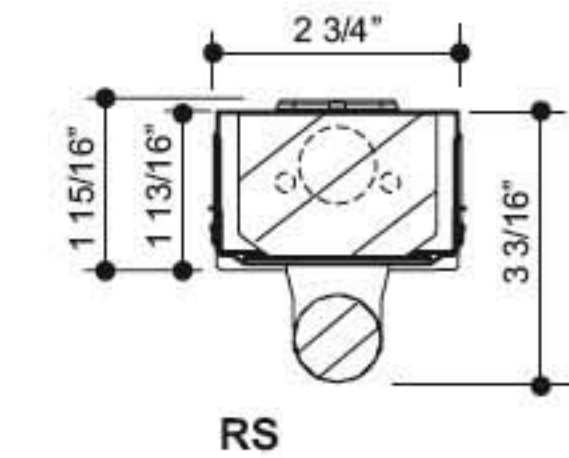
OPTIONAL ADDERS

- Convenience outlet.
- Fuse holder.
- Pull chain switch
- Turn switch
- Toggle switch.

MAGIC COM ONE LAMP

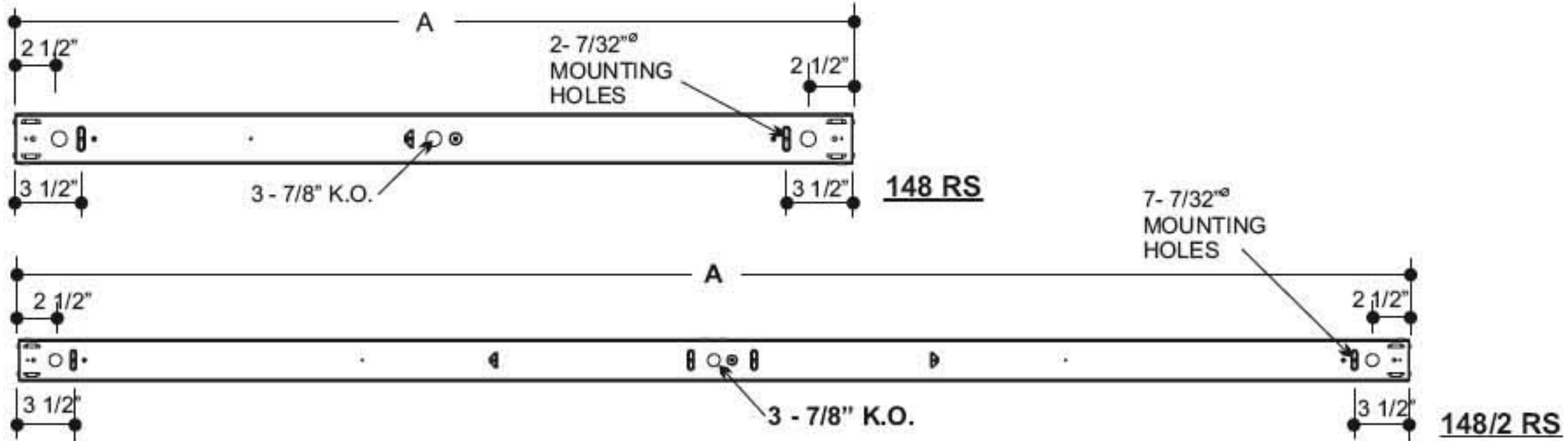
MAGIC COMMERCIAL ONE LAMP Strip Fixture

Series Dimensions



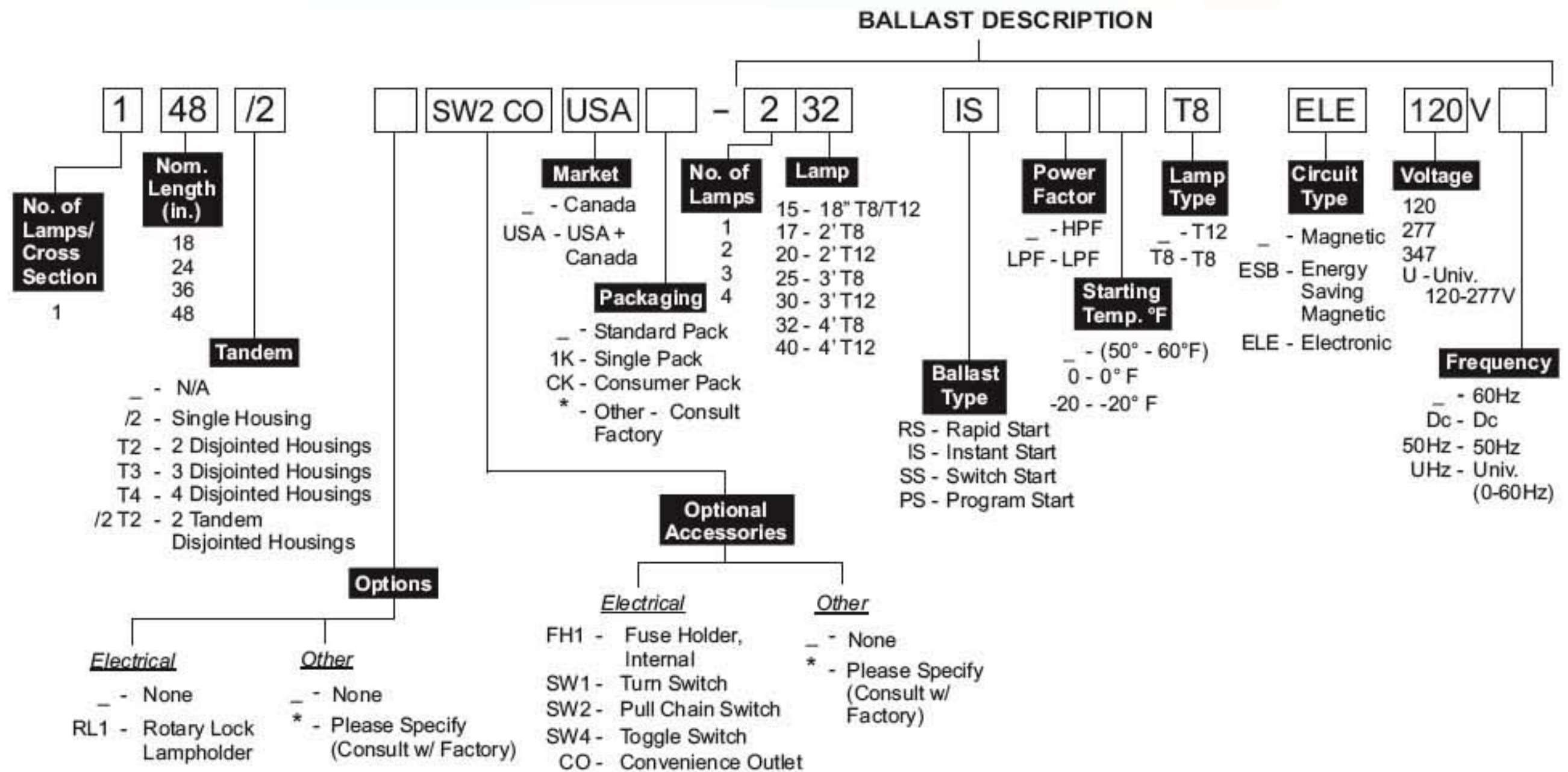
MODEL	LENGTH A (in.)
118	18
124	24
136	36
136/2	72
148	48
148/2	96

Cross Section



Top Views

Product Key



Example:

148/2 SW2 CO USA - 232 IS T8 ELE 120V

Certain configurations may not be available