

MAGIC COM TWO LAMP

Strip Fixture

FEATURES

Snap together design.

Continuous raceway and row mounting capability.

Snap on cover for easy installation and maintenance.

Surface, stem, or chain mountable.

Uses T8 or T12 lamps.

Steel housing and ends with white enamel finish.

APPLICATION

Stairwells

Warehouse Areas

Coves

Utility Area

Valances

Large Storage Rooms

Manufacturing Areas

Display



SL220120	T-12	48"	120
SL240ES120	T-12	48"	120
SL296ES120	T-12	96"	120
SL232UDV	T-8	48"	120/277
SL259EBDV	T-8	96"	120/277
SL96432DV	T-8	96"	120/277

APPLICATION FEATURES

Economy grade, fluorescent strip fixture. For use in indoor applications where low cost is a primary consideration. Available in lengths from 24 to 96 inches. Converts to raceway for continuous row mounting.

CONSTRUCTION

Snap-in end plates can serve as joiners for continuous row mounting, thus forming a continuous, uninterrupted wireway. Snap on ballast covers for 72" and 96" housing are two piece for simple installation and maintenance. Knockouts are provided for flexible conduit attachment. Die and brake formed, code gauge pre-painted white cold rolled steel.

MOUNTING

Knock-outs are provided for stem mounting. Mounting holes are provided. Optional V (Speedy) hangers accommodate chain (not provided).

FINISH

Pre-painted high reflectance white.

ELECTRICAL

All electrical components are CSA or UL approved. Lamp holders provided ensure positive lamp retention. Lamp holders with rotary locks are available. Standard ballasts are electromagnetic, energy saving where required. See Product Selection for optional ballasts. The standard voltage is 120V, 60 Hz, or as specified. Other Voltage and frequency ratings are also available. Sufficient knock-outs are provided on the back and ends for connections and through wiring.

APPROVALS

Approved to CSA and UL standards. (UL, or equivalent, marked only when specified.)

OPTIONS

- Electronic ballasts and dimming ballasts, see Product Selection.
- Polycarbonate rotary lock lampholders.
- Individual & custom packaging (select units only).

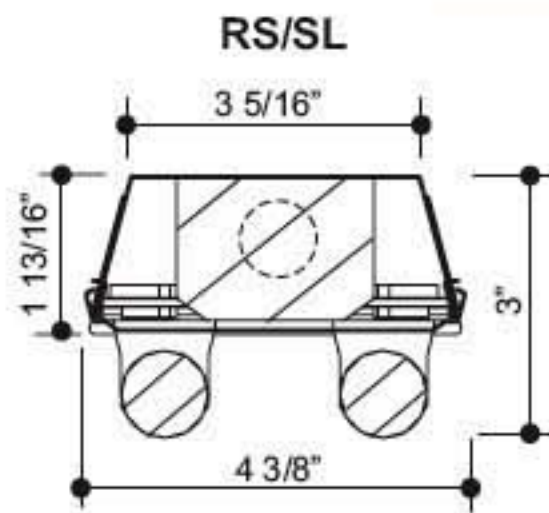
OPTIONAL ADDERS

- Fuse holder.
- Pull chain switch
- Turn switch
- Toggle switch.
- Speedy Hangers.

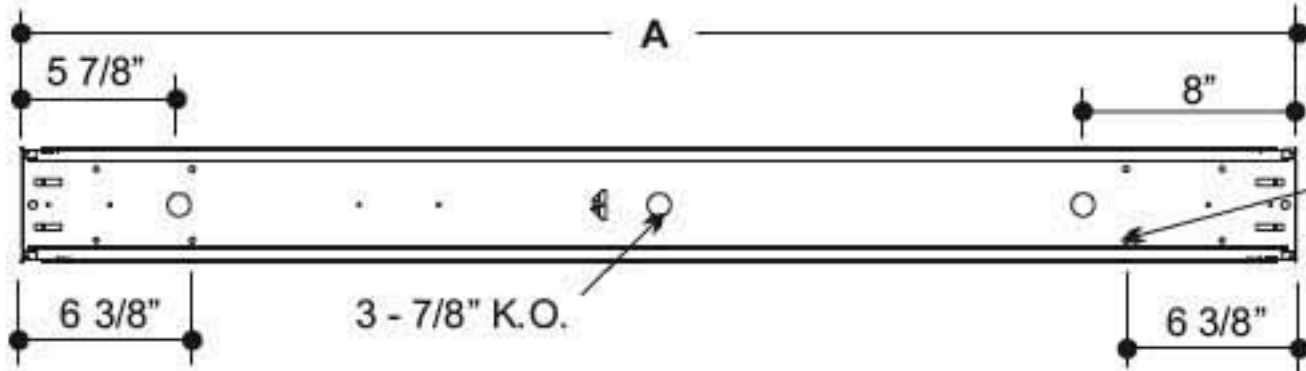
MAGIC COM TWO LAMP

MAGIC COMMERCIAL TWO LAMP Strip Fixture

Series Dimensions

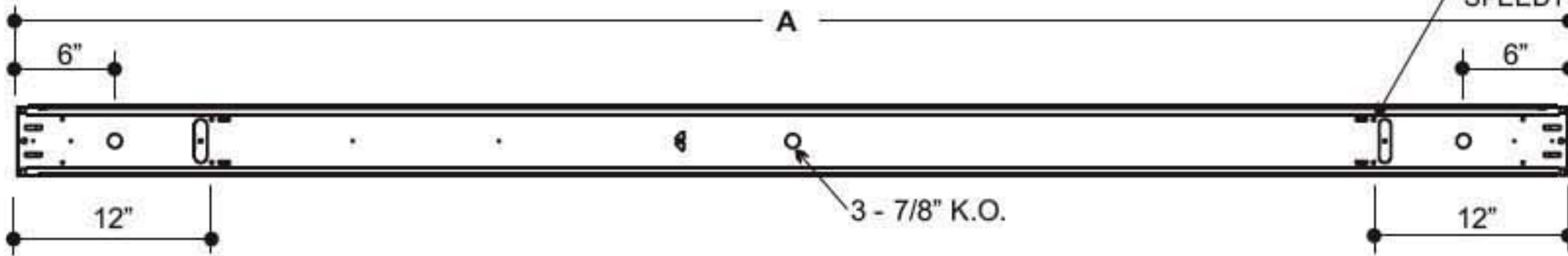


Cross Section



4- 7/32"
MOUNTING HOLES
FOR USE WITH
SPEEDY HANGER

248 RS/SL



4- 7/32"
MOUNTING HOLES
FOR USE WITH
SPEEDY HANGER

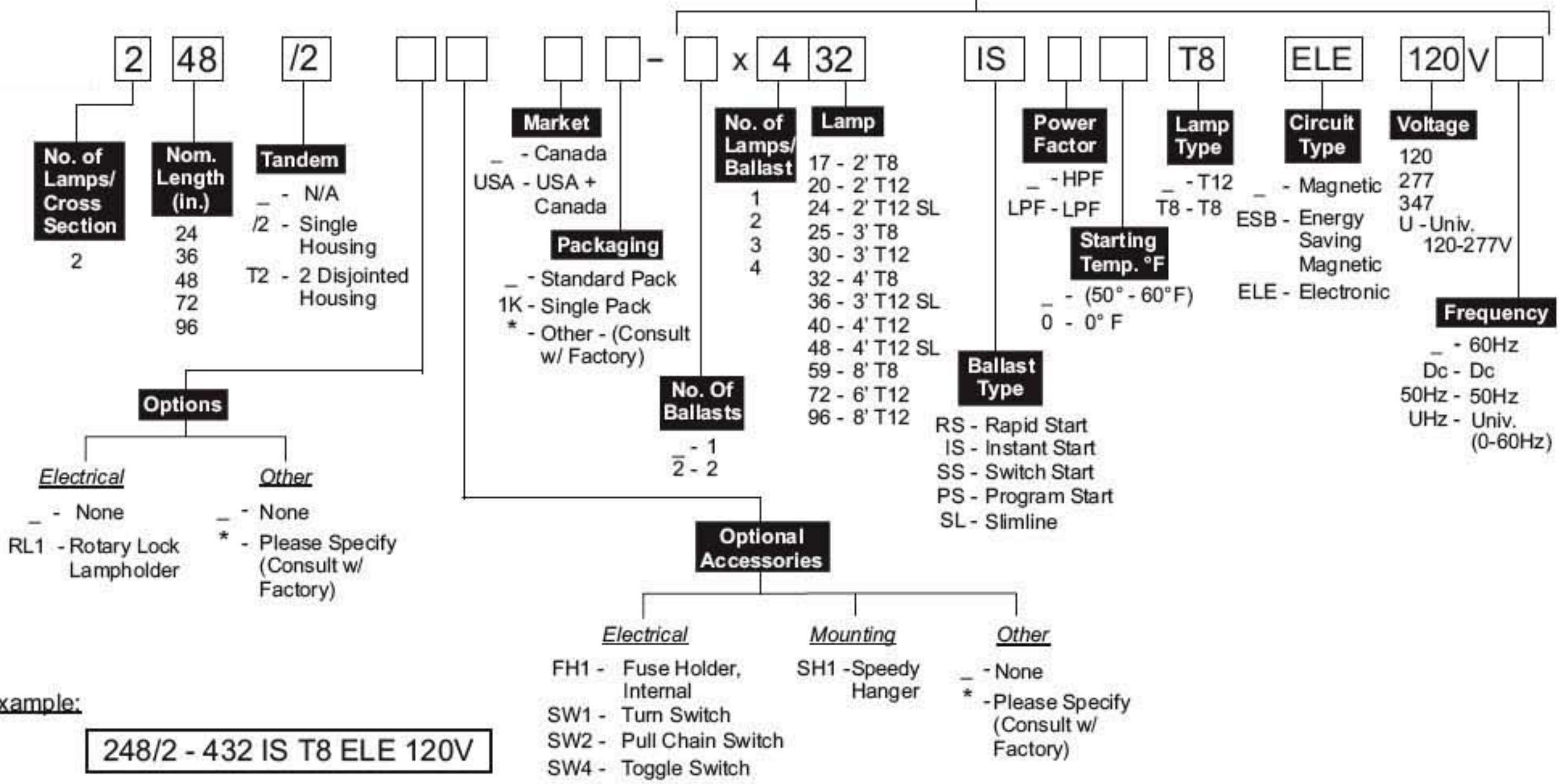
**296 SL
248/2 RS**

Top Views

MODEL	LENGTH A (in.)
224	24
236	36
236/2	72
248	48
248/2	96
272	72
296	96

Product Key

BALLAST DESCRIPTION



Example:

248/2 - 432 IS T8 ELE 120V

Certain configurations may not be available