

# MAGIC NEUTRON

Surface Ceiling Mount Wraparound Luminaire

MAGIC NEUTRON

## FEATURES

*Slim and sleek design.*

*Clear acrylic diffuser with prismatic bottom and ribbed linear sides.*

*Diffuser, self aligns and hinges from either side for easy maintenance.*

*Available with 2 or 4 lamps.*

*Easy re-lamping and re-ballasting.*

*Continuous row mounting capability.*

*Steel housing and ends with white enamel finish.*



TCN217DV	T-8	24"	120/277
TCN232DV	T-8	48"	120/277
TCL432EBDV	T-8	48"	120/277
TCN240ES120	T-12	48"	120
TCL440ES120	T-12	48"	120
TCL440ES277	T-12	48"	277

## APPLICATION

Stairwells  
Corridors  
Utility Area  
Kitchen

## APPLICATION FEATURES

Economy grade, shallow, surface mounted wraparound luminaire with low brightness linear sides. For use in applications where low cost, high quality and ease of installation are required. Sleek modern styling.

## CONSTRUCTION

Inspection knockouts provided on 4' units, for mounting to junction box. Ballast cover snaps into place eliminating the need for tools when accessing the ballast. Diffuser hinges from either side in a lift and shift manner and is self centering. End caps may be butted together for continuous row mounting. Knockouts are provided for flexible conduit attachment.

Die formed, 22 gauge pre-painted high reflectance white steel housing. Die formed and embossed, 22 gauge pre-painted high reflectance white steel end caps.

## MOUNTING

Mounts over electrical junction box. Offset mounting pads which keeps luminaire level and slightly off of mounting surface, are formed within the housing. Mounting holes are provided within offset to prevent distortion of housing when tightening mounting fasteners. Knock-outs are provided for stem mounting.

## FINISH

Pre-painted high reflectance white.

## OPTICS

Wrap-around, extruded clear acrylic diffuser with prismatic bottom and ribbed linear sides, designed for high efficiency and visual comfort.

## ELECTRICAL

All electrical components are CSA or UL approved. Ballasts and lamp holders are replaceable without removing the luminaire from the mounting surface. Standard ballasts are electromagnetic, energy saving where required. See Product Selection for optional ballasts. The standard voltage is 120V, 60 Hz, or as specified. Sufficient knockouts are provided on the back and ends for connections and through wiring.

## APPROVALS

Approved to CSA and UL standards. (UL, or equivalent, marked only when specified.)

## OPTIONS

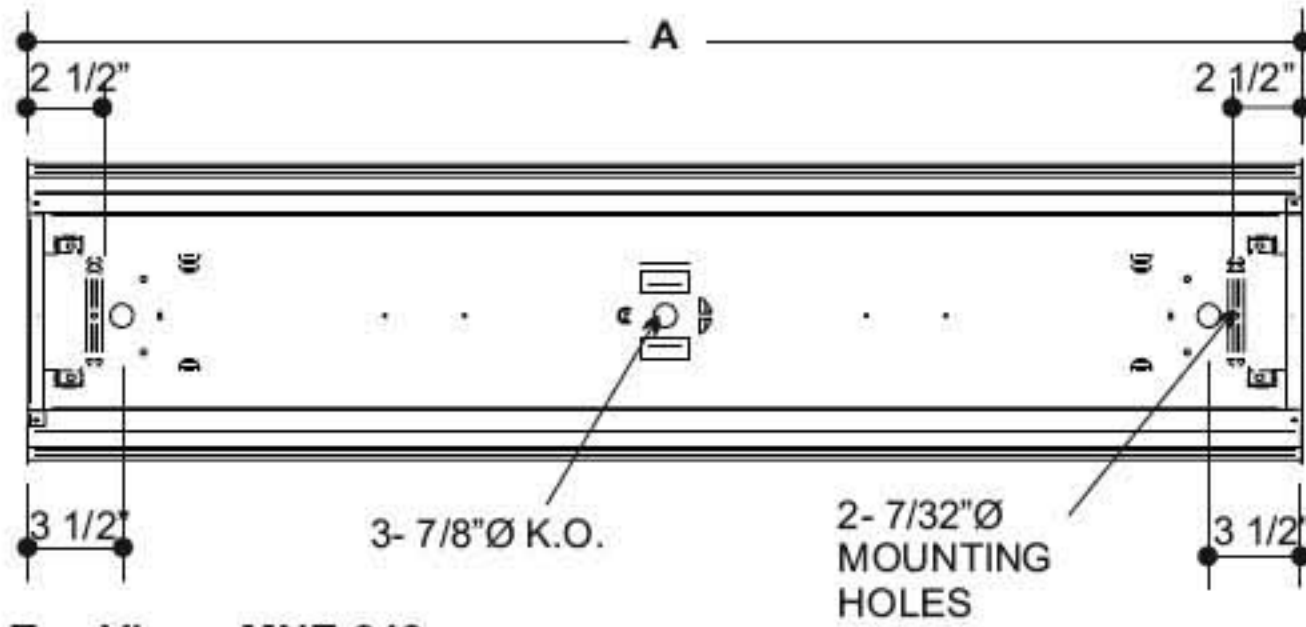
- Electronic ballasts and dimming ballasts, see Product Selection.
- Black

## OPTIONAL ADDERS

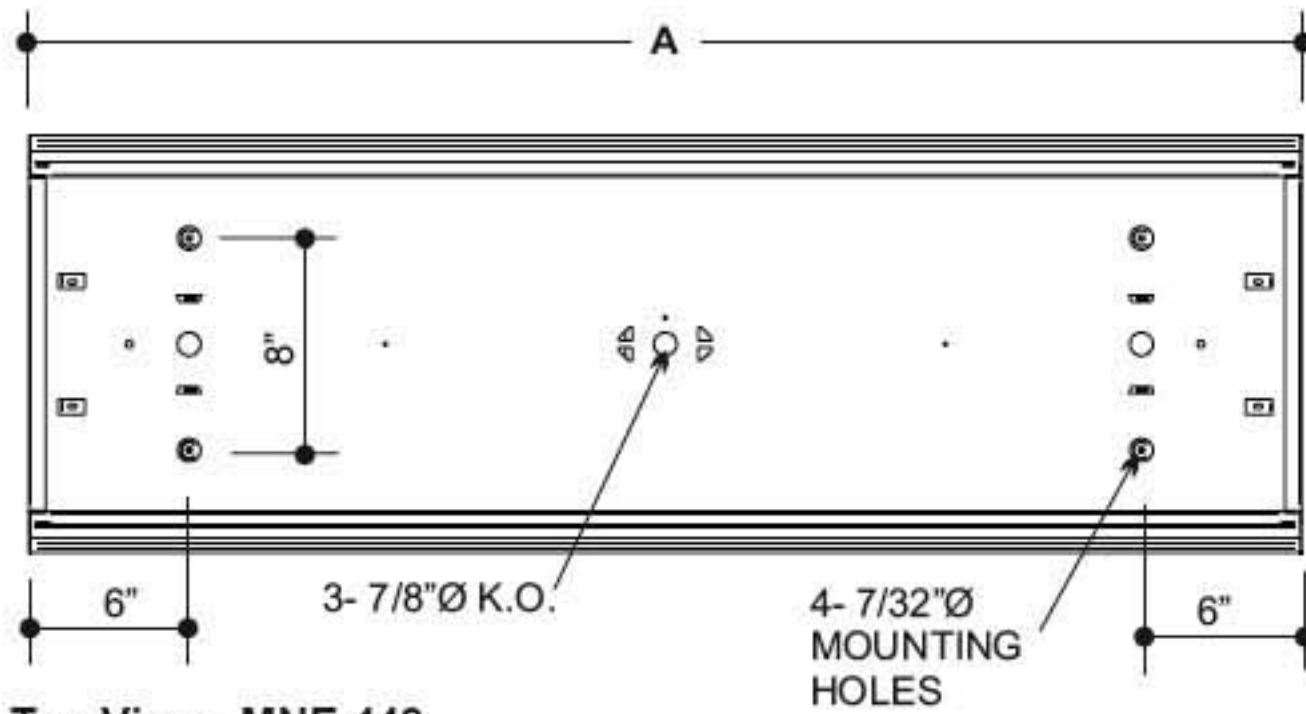
- Joiner band.
- Stem and canopy sets.
- Speedy Hangers.

**MAGIC NEUTRON**  
Surface Ceiling Mount Wraparound Luminaire

**Series Dimensions**

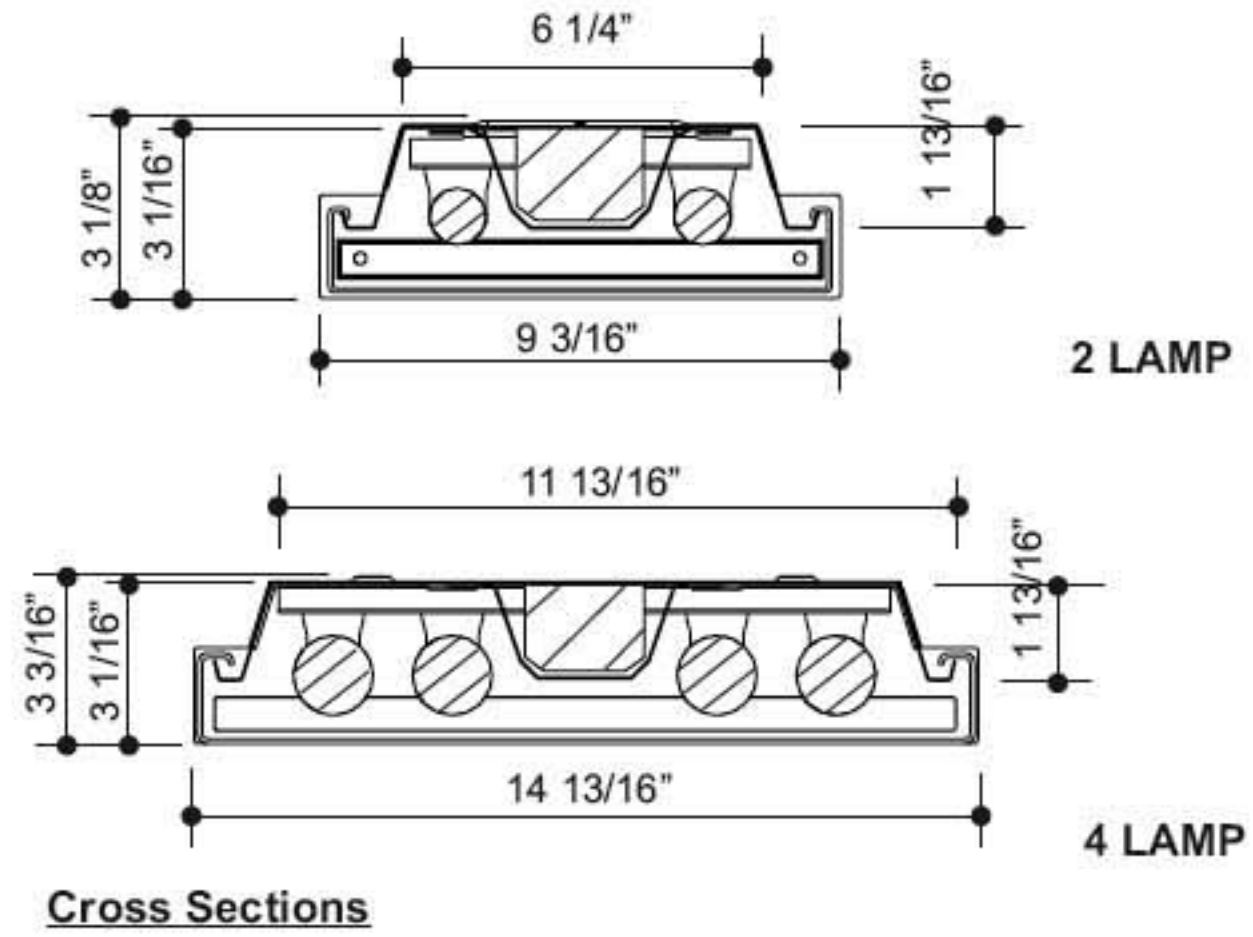


**Top View - MNE 248**



**Top View - MNE 448**

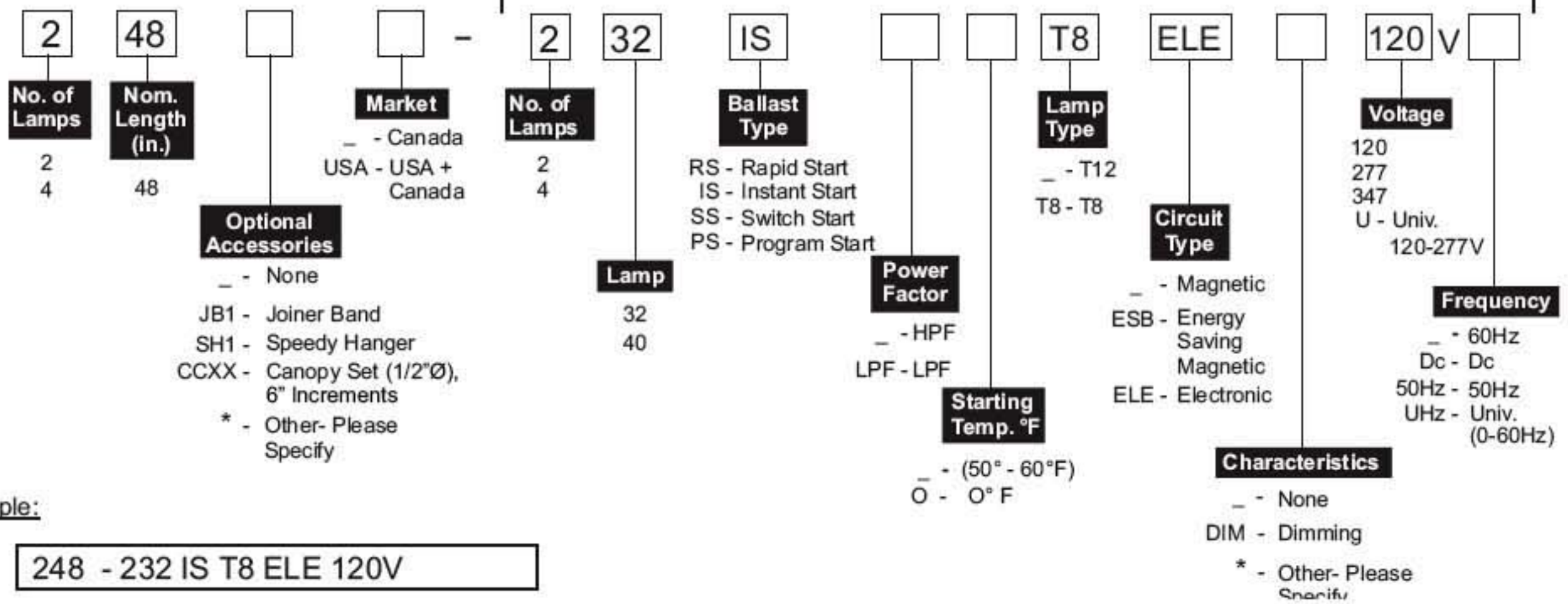
MODEL		LENGTH
CROSS SECTION		
2 LAMP	4 LAMP	A (in)
248	448	48



**Cross Sections**

**Product Key**

**BALLAST DESCRIPTION**



Example:

248 - 232 IS T8 ELE 120V

Certain configurations may not be available